

HEAVY-DUTY MOTORIZED SCREEN FOR LARGE AUDIENCES. IDEAL FOR AUDITORIUMS, LECTURE HALLS.

The ROLLERAMIC comes in sizes through 20' x 20' or 25' diagonal to accommodate large presentations. All-wood case may be recessed in the ceiling or painted to match its surroundings. The viewing surface is concealed when not in use; lower it to any position at the touch of a switch. The direct drive module is mounted on rubber vibration insulators.

Your choice of a viewing surface: Matt White, Glass Beaded, or HIGH CONTRAST GREY viewing surface.

SYSTEM OPTIONS

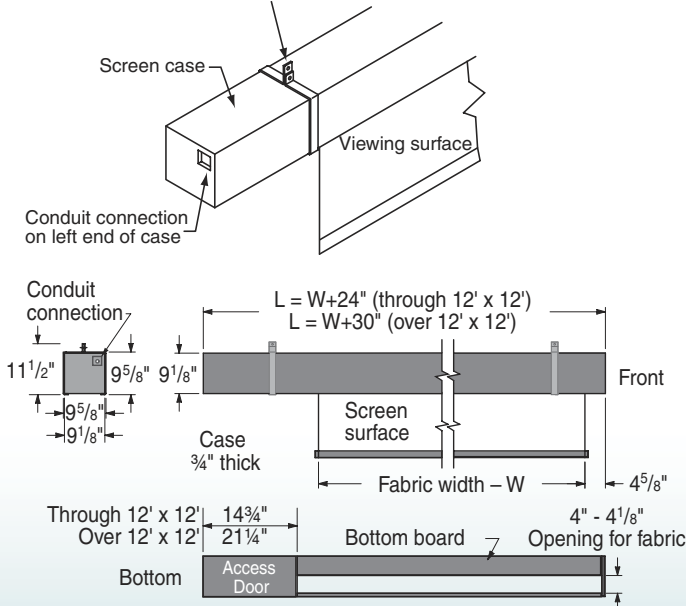
- **Extra Drop**—Up to 20' total screen height, either surface color or black.
- **Black Masking Borders**—Borders are optional for AV format screens and standard for all other format screens.
- **Triangular Shaped Steel Slat**—At bottom of projection surface. With screen recessed above ceiling, the triangular slat can be set to stop flush with the ceiling, for a clean installation.
- **Mounting Brackets**—Universal brackets for wall or ceiling mount included, made of 1/4" thick strap steel. Can also be installed above the ceiling line.
- **Control Options**—Refer to page 4.



*Rolleramic installation at Indiana University School of Law, Indianapolis, IN.
Photography: Wayne Williams, Indianapolis, IN.*

CASE DIMENSIONS/METHOD OF INSTALLATION

Universal mounting bracket may be suspended or mounted to the wall. Each bracket consists of a front and back piece bolted together. 2 supplied on cases up to 14' in length, 3 on larger cases.



DIMENSIONS & DATA—ROLLERAMIC

Size H x W	Case Length	Net Wt. (lbs.)	Size H x W	Case Length	Net Wt. (lbs.)
AV Format					
50" x 50"	74"	90	9' x 12'	168"*	175
60" x 60"	84"	95	12' x 12'	168"*	180
70" x 70"	94"	105	10'6" x 14'	198"	210
84" x 84"	108"	120	14' x 14'	198"	220
72" x 96"	120"	130	12' x 16'	222"	240
96" x 96"	120"	135	16' x 16'	222"	245
7' x 9'	132"*	135	13'6" x 18'	246"	290
9' x 9'	132"*	140	18' x 18'	246"	320
8' x 10'	144"*	150	8' x 20'	270"	310
10' x 10'	144"*	155	15' x 20'	270"	350
			20' x 20'	270"	380

Nominal Diagonal	Image Area H x W	Overall Size	Case Length	Net Wt. (lbs.)
NTSC Video Format (4:3)				
6'	42 1/2" x 56 1/2"	46 1/2" x 59 1/2"	84"	95
7'	50" x 66 1/2"	53 1/2" x 69 1/2"	94"	105
100"	60" x 80"	64" x 83 1/2"	108"	120
10'	69" x 92"	73" x 96"	120"	130
11'	78" x 104"	83" x 108"	132"*	135
150"	87" x 116"	92" x 120"	144"*	150
15'	105" x 140"	109" x 144"	168"*	175
200"	118" x 158"	123" x 162"	192"	210
20'	141" x 188"	146" x 192"	222"	240
250"	148" x 198"	153" x 202"	232"	285
25'	177" x 236"	182" x 240"	270"	350

Case dimensions—9 1/8" high x 9 1/8" wide. Hangers extend 2 3/8" above case. HDTV sizes are also available. Contact DRAPER for details.