

Mobile stand (with caster)

TY-ST42PF3

Product summary

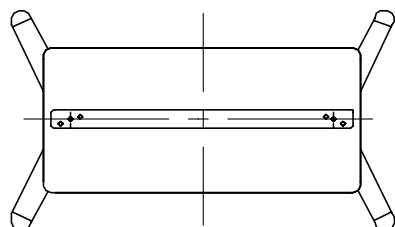
This product is the exclusive mobile stand to mount for 42", 50" plasma display.

Product specification (Design and specifications subject to change without notice)

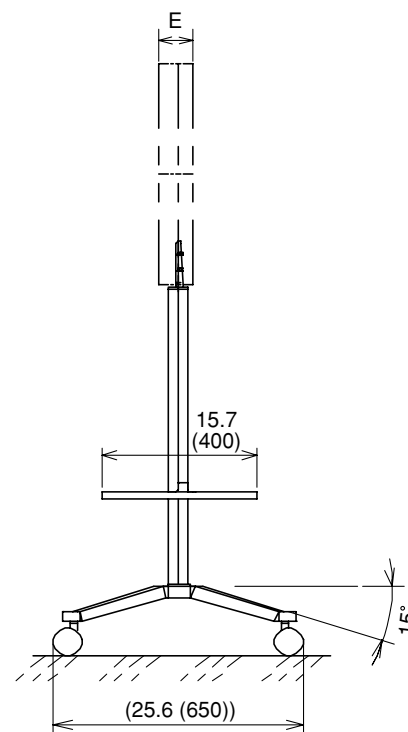
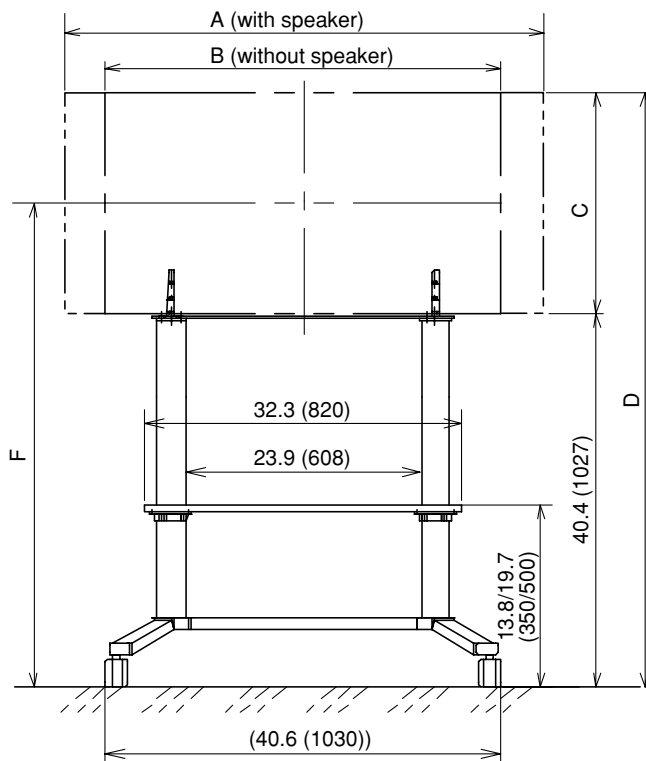
Dimensions (W x H x D)	40.6" x 45.1" x 25.6" (1030 mm x 1146 mm x 650 mm)
Mass	52.9 lbs. (24.0 kg)

Accessories • Screws (complete set) • Cable straps (5)

Dimensions



		for 42"	for 50"
Size	A	48.1 (1223)	55.6 (1413)
	B	40.2 (1020)	47.6 (1210)
	C	24.0 (610)	28.5 (724)
	D	64.4 (1637)	68.9 (1751)
	E	3.5 (89)	3.7 (95)
	F	52.4 (1332)	54.7 (1389)



Cautions : This drawing is not a scale.

Unit : inches
(mm)