

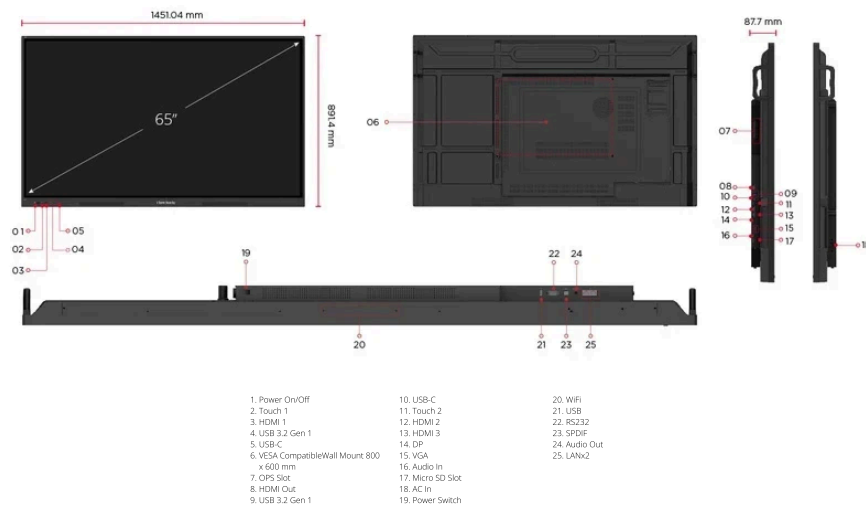
## Key Features

- EPEAT Gold Certification with 20% better power efficiency than the previous generation.
- Integrated ViewSonic Education Software empowers teachers and boosts learning outcomes.
- EDLA-certified Android 14 unlocks Google Play Store access for a world of apps.
- Quad-core CPU and microSD port deliver fast performance with expandable storage.
- Dual USB-C ports power fast transfers, reliable charging, and effortless connectivity.



## Product Description

Start your EdTech journey right with the ViewBoard IFP34 Series, designed with enhanced writing functionality and optimized power efficiency to meet the needs of K12 and higher education. Powered by EDLA-certified Android 14, it offers a smooth, secure user experience with full access to the Play Store for endless educational and productivity apps. Integrated ViewSonic Education Software takes it even further, adding powerful tools for digital whiteboarding, wireless casting, and centralized device management. Together, these features empower educators to create engaging, interactive learning environments, all while simplifying classroom workflows.



Visit Us [www.viewsonic.com](http://www.viewsonic.com)

## DISPLAY

Panel Size:	65"
Panel Type:	TFT LCD Module with DLED Backlight.
Display Area (mm):	1428.48(H) x 816.02(V)
Aspect Ratio:	16:9
Resolution:	UHD 3840x2160(Pixels)
Colors:	1.07B colors
Brightness:	450 nits
Contrast Ratio:	5000:1 (max. with DCR enabled)
Response Time:	8ms
Viewing Angles:	H=178, V=178
Backlight Life:	50,000 Hours (8 hours of use per day)
Surface Treatment:	Hardness: 7H Anti-glare coating
Orientation:	Landscape

## PLATFORM

Processor:	Quad-core
RAM:	8GB DDR4
Storage:	128 GB

## TOUCH

Type/ Tech:	Ultra Fine Touch Technology
Touch Resolution:	32767 x 32767
Touch Point:	40 points touch
Palm Rejection:	Yes

## INPUT

HDMI:	x3 (Front x1: HDMI2.0/HDCP 2.2/CEC; Rear x 2:HDMI2.0/HDCP 2.2/CEC/ARC for HDMI 2)
RGB / VGA:	x1
DisplayPort:	x1
Audio:	x1
RS232:	x1
SD/SDHC:	x1
OPS:	x1 (Optional Intel Standard OPS)
WiFi:	x1 (Optional VB-WIFI-002/VB-WIFI-004/VSB-050)

## OUTPUT

HDMI:	HDMI 2.0 x1
Audio:	x1
SPDIF:	x1

## LAN

RJ45:	x2
-------	----

## USB

Type A:	USB3.2 Gen 1 x 4 (Front x 2; Rear x 2 ) USB 2.0x1 (Rear)
Type B:	USB 3.0 x2 (Rear x1 + Front x1)
Type C:	Front*1 (PD15W + DP1.2 + Data + 10M/100M sharing) Rear*1 [PD65W(15W with OPS, 65W without OPS) + DP1.2 + Data + 10M/100M sharing]

## SPEAKERS

20W x 2
---------

## TOP CAMERA PLATE

Yes
-----

## EMBEDDED OS

Android 14 EDLA
-----------------

## BUNDLE SOFTWARE

Basic Annotation Software:	myViewBoard
Pro Annotation Software:	myViewBoard for Windows (Embedded in optional Windows Slot-in PC)
Wireless Presentation:	AirSync
Device Management:	Manager
ViewSonic Launcher:	Yes

## SPECIAL FEATURES

All-in-one USB port:	(combine slot-in PC/Android/HDMI USB port) Front "SmartPort™ USB" to all channels.
Simple LAN sharing between IFP and slot-in device:	10/100M for Android & Slot-in PC
Light Sensor:	Yes

## POWER

Voltage:	100-240V AC
Consumption:	On:78.26W ; Off: ≤ 0.5W

## ERGONOMICS

Wall Mount (VESA® ):	600*400
----------------------	---------

## OPERATING CONDITIONS

Temperature (° C):	0°C to 40°C
Humidity:	20% ~ 80% RH non-condensing

## DIMENSIONS (W X H X D)

Physical (inch / mm):	58.4 x 35.1 x 3.45 (in.) / 1482.2 x 891.4 x 87.7 (mm)
Packaging (inch / mm):	64.56 x 39.76 x 7.28 (in.) / 1640 x 1010 x 185(mm)

## WEIGHT

Net (lb / kg):	80.25lb / 36.4kg
Gross (lb / kg):	101.19lb / 45.9kg

## REGULATIONS

FCC/ICES003, EPEAT, CE EMC, LVD or CB, RoHS Green BOM, & RoHS DoC, ErP, REACH SVHC List, & DoC, EEL, WEEE, BSMI,BIS
---

## PACKAGE CONTENTS

1. 3m power cord by ship area 2. Remote control with AAA battery 3. 3m touch USB cable 4. Touch pen x 2 (VB-PEN-009) 5. Quick Start Guide + Compliance statement 6. RS232 adapter 7. Clamp x 5 8. Camera Plate 9. Screw x 8 (camera 2+2, wall mount 4) 10. HDMI cable 3m
--

## COMPATIBLE SLOT-IN PC

VPC3X, VPCF5-2A, VPCF5, VPC2X, VPC-A31-O1
---