



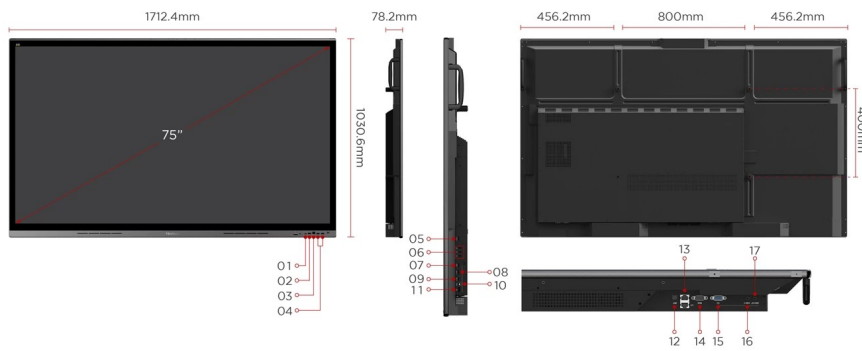
Key Features

- Superb 4K UHD display panel with UFT+ technology, and 20-points multi-touch
- One-stop premium conference solution with compatible ViewSonic conference speakerphone and camera
- Comprehensive I/O ports, vCastSender, and myViewBoard display
- Built-in USB Type-C for simultaneous 65W fast charge and visual display
- Centralized IT management and content display by myViewBoard Manager



Product Description

ViewSonic ViewBoard 62 is an unparalleled large-format interactive display that propels collaborators to achieve effective and robust results. The bezel-less 4K UHD display panel is a gateway to a new visual quality and immersive meeting space. Indulge in the maximized precision of true-to-life handwriting strokes thanks to the UFT+ Technology, 20-points multi-touch with multi-grade pen pressure. Compatible with ViewSonic conference speakerphone (VB-AUD-201) and all-in-one video conference camera (VB-CAM-201) systems, The ViewBoard 62 boasts pristine audio and a pixel-perfect image, making it a powerful one-stop meeting station. Furthermore, it allows multiple connections, including comprehensive I/O ports, vCastSender, and myViewBoard Display, as well as built-in USB type-C ports supporting 65W fast charge and top-notch display at the same time. As an undoubted enhancement, the built-in myViewBoard Manager is an intuitive and effortless tool for IT and MIS systems that enables centralized IT control and multi-media presentation.



- | | | |
|--------------|--------------|---------------|
| 1. USB-C | 8. HDMI in 2 | 15. VGA |
| 2. HDMI In | 9. HDMI in 3 | 16. Audio in |
| 3. Touch out | 10. Touch | 17. Audio out |
| 4. USB-A | 11. USB-A | |
| 5. HDMI out | 12. SPDIF | |
| 6. USB-A | 13. LAN | |
| 7. HDMI in 1 | 14. RS232 | |

Visit Us ■ www.viewsonic.com

DISPLAY

Panel Size:	75"
Panel Type:	TFT LCD Module with DLED Backlight
Display Area (mm):	1650.24(H) x 928.26(V)
Aspect Ratio:	16:9
Resolution:	UHD 3840x2160(Pixels)
Colors:	1.07G (8bits + FRC)
Brightness:	350 nits (typ.) 300 nits (min.)
Contrast Ratio:	5000:1 Typ.
Response Time:	8.5ms
Viewing Angles:	(R/L 178 (Min.), U/D 178 (Min.))
Surface Treatment:	Hardness: 9H pencil
Bezel:	Top: 38.7 mm Bottom: 63.6 mm Left: 31.1 mm Right:31.1 mm

PLATFORM

Processor:	ARM Cortex A73 *2+ A53*2
RAM:	3GB DDR4
Storage:	32GB eMMC

TOUCH

Type/ Tech:	Ultra Fine Touch Plus Technology (Projected Capacitive)
Touch Resolution:	32767 x 32767
Touch Point:	20

INPUT

HDMI:	x4
RGB / VGA:	x1
Audio:	1x PC-Audio IN
MIC(Microphone):	Full band 6-element MEMS microphone array
RS232:	x1
OPS:	x1
WiFi:	x1

OUTPUT

HDMI:	x1
Audio:	x1
SPDIF:	x1

LAN

RJ45:	x2
-------	----

USB

Type A:	x6
Type B:	x2
Type C:	x1

SPEAKERS

12W x 2 + 15W x 1 Subwoofer

EMBEDDED OS

Android

BUNDLE SOFTWARE

Basic Annotation Software:	myViewBoard WhiteBoard for Android
Pro Annotation Software:	myViewBoard WhiteBoard for Windows (Embedded in Windows Slot-in PC)
Wireless Presentation:	ViewBoard Cast & myViewBoard Display & AirServer

SPECIAL FEATURES

Simple LAN sharing between IFP and slot-in device: Yes

POWER

Voltage:	100-240VAC +/- 10% Wide Range
Consumption:	On:160W(typ.) / Off: <0.5W

OPERATING CONDITIONS

Temperature (° C):	0°C to 40°C
Humidity:	20% ~ 80% RH non-condensing

DIMENSIONS (W X H X D)

Physical (inch / mm):	67.4 x 40.6 x 3.1 in / 1712 x 1031 x 78 mm
Packaging (inch / mm):	72.8 x 44.1 x 10.6 in / 1848 x 1121 x 270 mm

WEIGHT

Net (lb / kg):	110.34 lb / 50.05 kg
Gross (lb / kg):	146.17 lb / 66.3 kg

REGULATIONS

cTUVus, FCC, Energy 8.0, EPEAT, CEC, Mexico, CE, CB, RoHS, ErP, REACH, WEEE, UKCA, LBL

PACKAGE CONTENTS

1. Power cable (by ship area)
2. Remote control
3. AAA battery X2
4. USB cable Type C
5. Passive stylus x 2
6. Quick Start Guide
7. Compliance statement
8. RS232 adapter
9. Plate
10. Clamp x 5
11. Screw x 8 (4 for wall mount ,4 for plate)
12. HDMI cable
13. Touch USB cable

COMPATIBLE SLOT-IN PC

VPC12-WPO, VPC2C-O, VPC25-O, VPC27-O series