



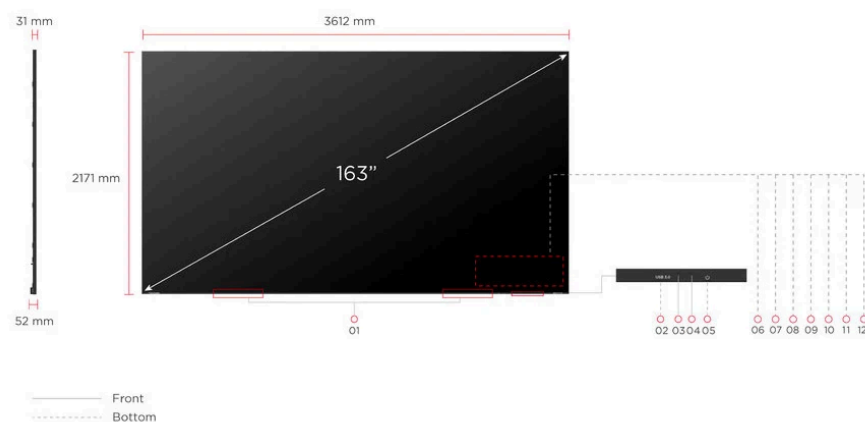
## Key Features

- **Innovative All-in-One integration** with pre-built control box for effortless installation
- **Accessible LED solution** combining performance and reliability
- **GOB surface protection** resists impact, dust, and moisture for lasting reliability
- **Easy full-front maintenance** with hot-swappable LED modules
- **Simplified OS architecture** for a true plug-and-play operating experience



## Product Description

The ViewSonic LDE163G-182 is a 163" accessible All-in-One LED display designed to deliver impressive visual clarity and dependable performance for corporate, educational, and public settings. A pre-built control box simplifies installation and helps achieve a lighter, more integrated build. The lighter design and slim 52 mm profile make wall mounting easier, while the 99% screen-to-body ratio creates a sleek, bezel-free look that blends seamlessly into modern interiors. Durable Glue-on-Board (GOB) surface protection resists impact, dust, and moisture, achieving IP54 and IK06 ratings for long-lasting reliability in high-traffic areas. The OS architecture restricts access to apps, network connectivity, and user storage to ensure simplified, secure operation and a reliable plug-and-play experience. Q-SYS-certified compatibility enables seamless integration with control systems for unified AV management and smoother workflows, and HDMI CEC support allows automatic power and device synchronization for simplified operation. With 600 nits of brightness and a 6,500:1 contrast ratio, the LDE series delivers vivid, high-impact visuals for meetings, lectures, and presentations.



- |                    |                 |
|--------------------|-----------------|
| 1. Speakers        | 8. USB 3.0      |
| 2. USB 3.0         | 9. HDMI Out     |
| 3. IR Receiver     | 10. HDMI 2.0 In |
| 4. Indicator Light | 11. HDMI 1.4 In |
| 5. Power Key       | 12. LAN         |
| 6. RJ232           |                 |
| 7. Audio Out       |                 |

## SPECIFICATION

Screen Size:	163"
Display Area (mm):	3600 (H) x 2025 (V)
Native Resolution:	1920x1080
Panel Technology:	Direct view LED
LED Package Type:	SMD 3 in 1 (GOB)
Bonding Wire:	Copper
Pixel Pitch (mm):	1.88
Brightness (max.):	600 nits (100 levels adjustable)
Contrast Ratio (typ.):	6500:1
Color Temperature:	3000K-10000K
Orientation:	Landscape
Viewing Angles (typ.):	H = 170, V = 170
LED Lifetime (typ.):	100,000 Hours
Embedded OS:	Simplified OS
Resolution Support:	VGA(640 x 480) to 4K(3840 x 2160@60hz)
HDTV Compatibility:	480p, 576p, 720p, 1080p, 2160p
Horizontal Frequency:	31K-94kHz
Vertical Scan Rate:	56-85Hz

## INPUT

HDMI:	2 (HDMI 2.0/HDCP 2.2 x1, HDMI1.4/HDCP1.4 x1) (internal x2)
USB Type A:	2 (USB3.0) (internal x1, external x1)
RJ45 Input:	1 (control)

## OUTPUT

HDMI out:	1 (HDMI 1.4/HDCP 1.4, internal)
Speaker:	8Wx2
Audio out (3.5mm):	1
USB Type A (Power):	Shared with USB A input (5V/0.9A )

## CONTROL

RJ45 (LAN control):	1
USB Type A (Services):	1(shared with USB A input)
RS232 (DB 9-pin female):	1
IR Receiver:	1

## OTHERS

Power Supply Voltage:	100-240V ~ 50/60Hz (vary by country)
Power Consumption (W/unit):	770W (typ), 2332W (max) < 0.5W (Hibernate)
Operating Temperature:	0~40°C
Total LED Module Quantity:	144
Ingress Protection Rating:	IP54(Front)
Impact Protection Rating:	IK06(Front)
Net Weight:	337.31 lbs (153 kg)
Gross Weight:	771.6 lbs (350 kg)
Product Dimensions (WxHxD):	142.2 x 80.57 x 2.05 inches (3612 x 2046.4 x 52mm)
Product Dimensions (WxHxD) with wall mount:	142.2 x 80.57 x 2.43 inches (3612 x 2046.4 x 61.7mm)
Packing Dimensions (WxHxD):	89.76 x 42.52 x 47.24 x inches (2280 x 1080 x 1200mm)

## STANDARD ACCESSORIES

Power Cord:	2
HDMI Cable:	1 (USB Type C to HDMI)
LAN Cable (Cat 5E):	1
Remote Control:	1 (IR)
QSG:	1
Wall Mount:	1
Spare Parts:	LED module x10 3 in 1 hub board x1
Maintenance Tool:	LD-MK-006

## OPTIONAL ACCESSORIES

Maintenance Tool:	LD-MK-006
Floor Stand:	LD-STND-009